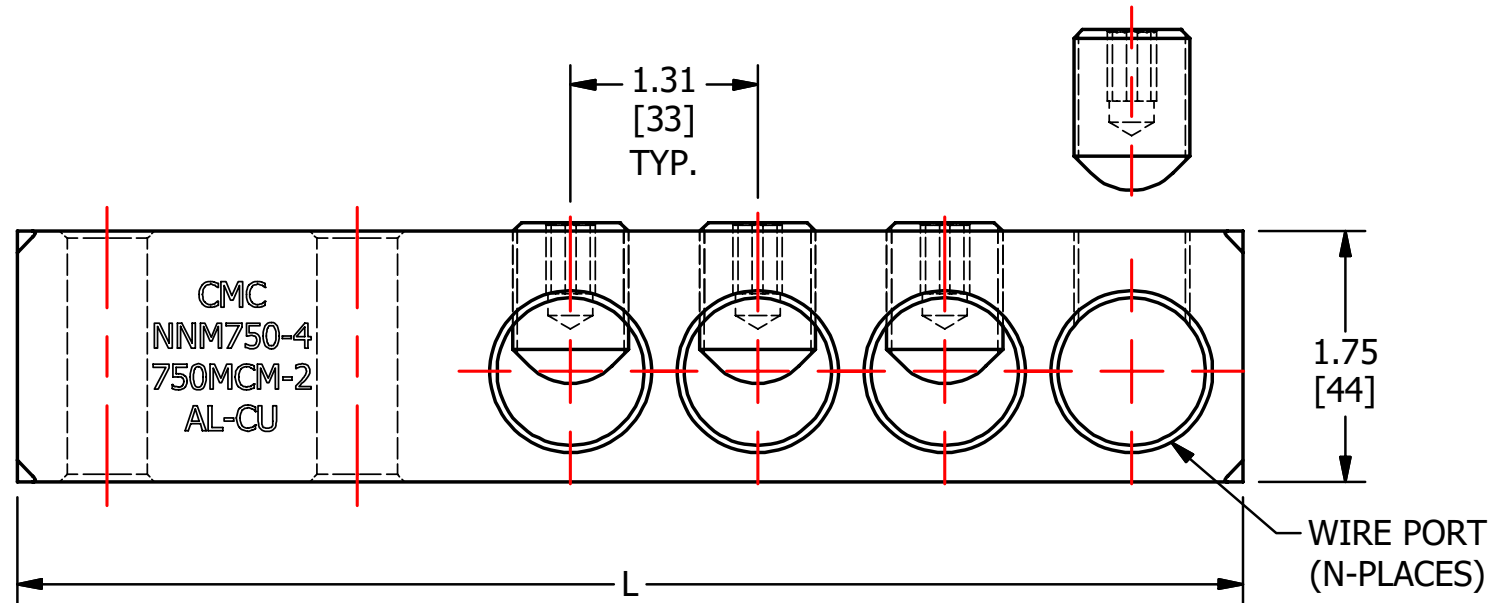
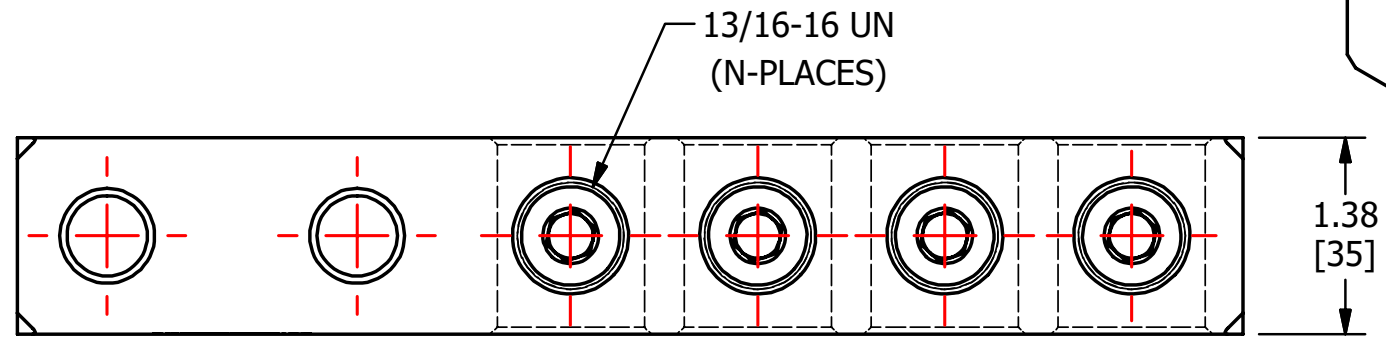
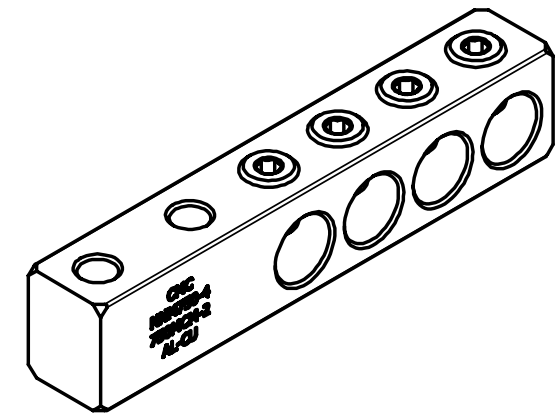
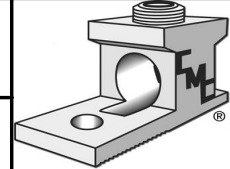


S.NO	CATALOG NUMBER	L	N
1	NNM750-4	8.59 [218]	4
2	NNM750-4I	8.59 [218]	4
3	NNM750-6	11.21 [285]	6
4	NNM750-6I	11.21 [285]	6
5	NNM750-8	13.83 [351]	8
6	NNM750-8I	13.83 [351]	8



FINISH: CLEAR PLATE
MATERIAL: ALUMINUM

					TO ORDER CMC PRODUCTS CALL 1-513-860-4455	DRAWN BY: TS 09-25-19	NAME OF PART: NEMA MOUNT CONNECTOR ASSEMBLY	CAT. NO.: SEE TABLE
					FOR PRODUCT INFO: http://www.cmclugs.com	CHECKED BY:	DWG NO: C58700031-S (CHARTED)	A
A	NEW DRAWING CREATED		09-25-19	TS		DRAWING NOT TO SCALE		SHEET NO: 1 OF 1
REV.	DESCRIPTION	ECN	DATE	INIT.				



THIS INFORMATION IS PROPRIETARY TO CONNECTOR MFG. CO. AND IS NOT TO BE DISCLOSED OUTSIDE OF CONNECTOR MFG. CO. WITHOUT A CONFIDENTIALITY AGREEMENT



CONNECTOR MANUFACTURING CO.

HAMILTON, OHIO